

Covered Platform Feeder (CPF)

Dome Assembly

1. Install the o-ring approximately ½" – 1" below the open hook on the brass rod.
2. Slide the collet knob onto the brass rod.
3. Insert the brass rod through the center of the universal cover.
4. Slide the collet insert onto the brass rod with the threads facing upward.
5. Place the collet insert into the 1" diameter hole in the universal cover so that the threads on the collet insert extend up through the universal cover.

Important: Do not insert the tab on the collet insert into the slot in the universal cover. Otherwise, the collet insert will not secure properly to the brass rod.

6. Screw the collet knob onto the collet insert to tightly secure the universal cover.

Tray Assembly

1. Screw the short rod nut to the top of the threading on the brass rod.
2. Insert the DCF plastic insert up into the hole in the UN tray, so that the flanges are on the bottom.
3. Place the UN washer on the top of the UN tray over the hole.
4. Insert the brass rod through the UN washer and screw the brass rod into the DCF plastic insert until snug.

The height of the dome is adjustable on the brass rod by loosening the collet knob and sliding the universal cover up or down on the brass rod. Tighten the collet knob to secure the universal cover. The universal cover can be lowered to within a couple inches above the UN tray to keep out large birds.

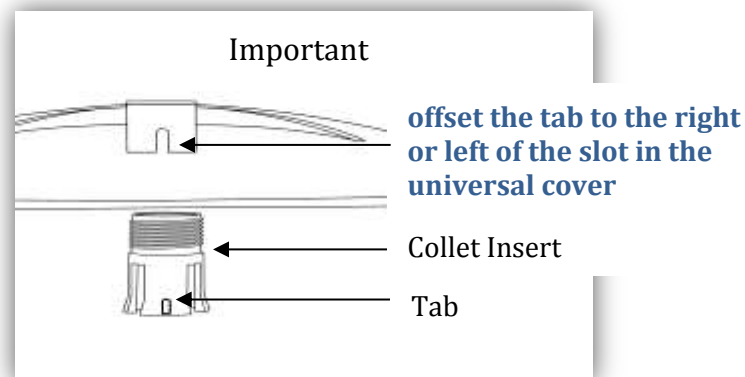
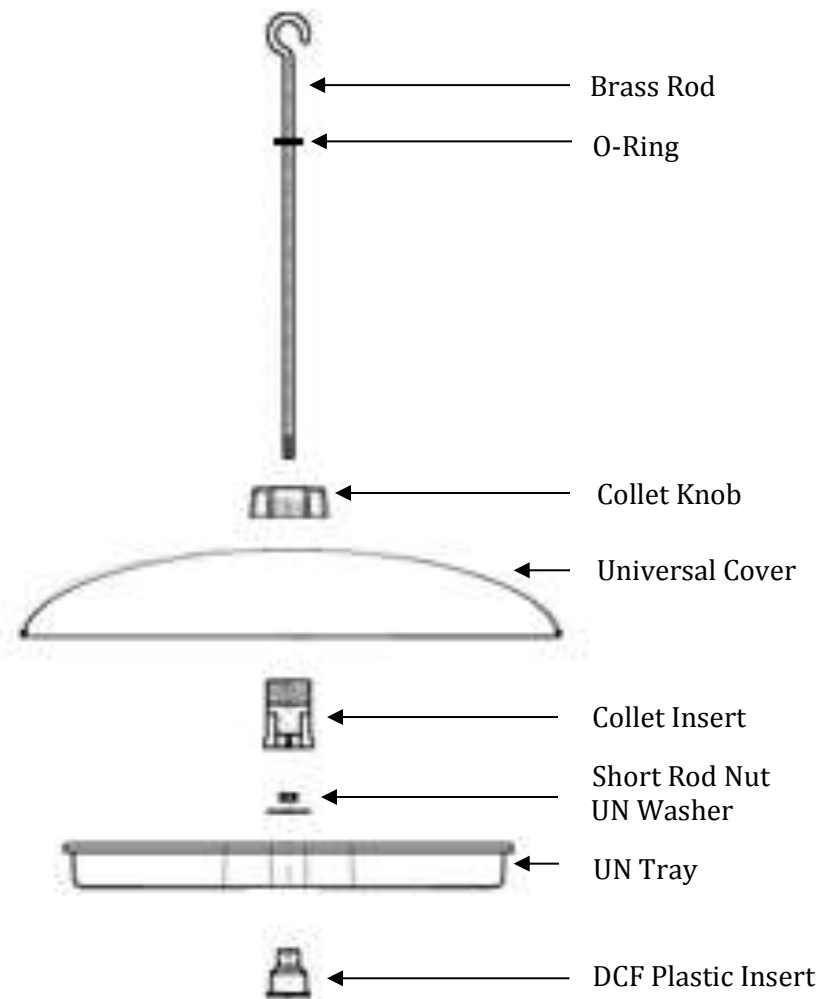
You can either hang or pole-mount your Covered Platform feeder. The DCF plastic insert is threaded to accept the Droll Yankees threaded Pole Adapter (ADPT). This part comes with our Garden Pole (GP) and the Flower Garden Pole (FGP), and is also available separately. Simply screw the pole adapter into the threaded hole in the DCF plastic insert and slip the stem into the pole for quick and easy removal of the feeder for filling or cleaning. A Suet Link (SL) can also be used in the threaded hole of the DCF plastic insert to hang a suet feeder or another small feeder.

LIFETIME WARRANTY AGAINST SQUIRREL DAMAGE: Droll Yankees will replace any defective part free of charge, for as long as you own your Droll Yankees feeder. If your feeder is badly damaged by squirrels, to the extent that the effectiveness of the feeder is compromised, Droll Yankees will, at its option, either repair, replace or send replacement parts, free of charge. This warranty does not extend to damage through improper use, improper cleaning, weather, neglect, abuse, modification, disassembly, or falls. Raccoon and bear damage is not covered.

Complete written warranty can be located on our website under the support tab.

Droll Yankees Inc. • www.drollyankees.com

Customer Service: drollbird@drollyankees.com • (860) 779-8980 or (800) 352-9164



How to Maximize Your Backyard Bird Experience

Placement: Birds feel vulnerable out in the open, so try to place your feeder near a bush or tree, but not too close where squirrels can jump on it. If you have other feeders, placing a new one near an older one will help the birds get used to it. **These creatures of habit could take weeks to feel comfortable at a new feeder.**

Mounting: Hang your feeder with a hook or chain or mount it on a bird feeder pole.

What to offer: Consider food like seed, mealworms, suet or fruit to attract different bird species.

When to feed: Feeding year round is good for the birds and gives you the most enjoyment.

Water: Birds need a regular supply of water for both drinking and bathing.

Cleaning: *Please, for the sake of the birds, keep your feeders clean!* Dirty feeders can harm the birds. Use a mild soap & water solution and a soft brush for thorough, simple cleaning. Dry completely before filling with seed. Set a schedule that's easy to remember, like the first of every month.

Discourage: Place your feeder 4 feet from the ground and 8 feet from anything a squirrel can jump from, like trees or buildings.

Visit www.drolleyankees.com for more information on feeding wild birds. Over 150 different bird feeders & accessories, and fun videos!

Just Feed Birds and Make a World of Difference. It's true. Because when you feed birds, you help more baby birds survive. More birds will eat more insects, so you'll need fewer chemicals to control them. Using fewer chemicals will make the environment healthier for you, your children, your pets, our water supply... and the wild birds.

We can make a world of difference, one bird feeder at a time.

**DROLL YANKEES®**
The World's Best Bird Feeders®

Covered Platform Feeder (CPF)

